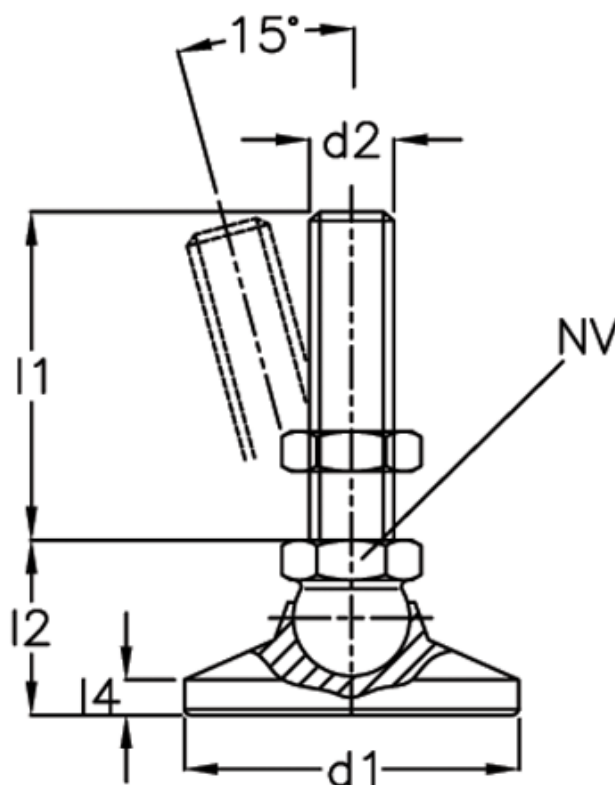


Article number: 20343232M1080KR  
Description: E+G Levelling foot  
GN 343.2-32-M10-80-KR  
Note: 0

## Measures



$d1 = 32$   
 $d2 = M10$   
 $l1 = 80$   
 $l2 = -$   
 $l3 = 24.5$   
 $l4 = -$   
 $l5 = 6.5$   
 $NV = 15$

Static load = 20  
Weight in (g) = 120